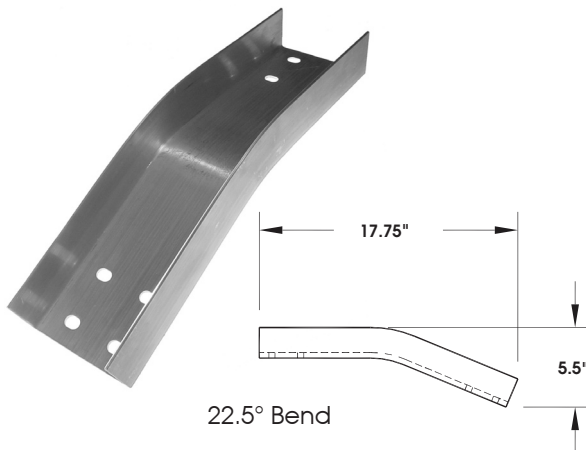
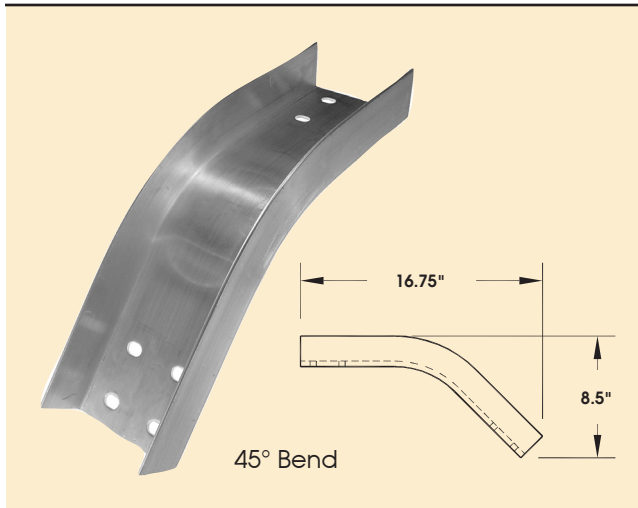
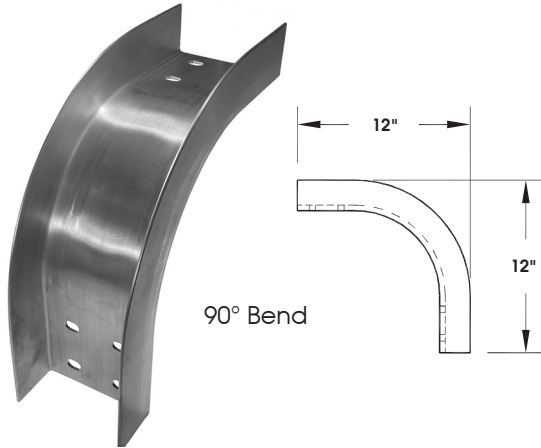


Outside Channel Vertical (OCV)
6" Radius



	Metal	Channel Width	Part Numbers				
90° Bend	6" Radius	Hot-Dip Galvanized Steel	2 4 6	OCV2-GC2-R6D90 OCV4-GC2-R6D90 OCV6-GC2-R6D90			
		Natural Finish Aluminum	2 4 6	OCV2-NA2-R6D90 OCV4-NA2-R6D90 OCV6-NA2-R6D90			
			Stainless Steel T-304	2 4 6	OCV2-SS2 R6D90T4 OCV4-SS2 R6D90T4 OCV6-SS2 R6D90T4		
	Stainless Steel T-316			2 4 6	OCV2-SS2 R6D90T6 OCV4-SS2 R6D90T6 OCV6-SS2 R6D90T6		
		45° Bend		6" Radius	Hot-Dip Galvanized Steel	2 4 6	OCV2-GC2-R6D45 OCV4-GC2-R6D45 OCV6-GC2-R6D45
			Natural Finish Aluminum		2 4 6	OCV2-NA2-R6D45 OCV4-NA2-R6D45 OCV6-NA2-R6D45	
	Stainless Steel T-304				2 4 6	OCV2-SS2 R6D45T4 OCV4-SS2 R6D45T4 OCV6-SS2 R6D45T4	
				Stainless Steel T-316	2 4 6	OCV2-SS2 R6D45T6 OCV4-SS2 R6D45T6 OCV6-SS2 R6D45T6	
			22.5° Bend		6" Radius	Hot-Dip Galvanized Steel	2 4 6
	Natural Finish Aluminum					2 4 6	OCV2-NA2-R6D22 OCV4-NA2-R6D22 OCV6-NA2-R6D22
				Stainless Steel T-304		2 4 6	OCV2-SS2 R6D22T4 OCV4-SS2 R6D22T4 OCV6-SS2 R6D22T4
					Stainless Steel T-316	2 4 6	OCV2-SS2 R6D22T6 OCV4-SS2 R6D22T6 OCV6-SS2 R6D22T6

ALL DIMENSIONS IN INCHES

Note: 4" wide aluminum shown in photos.