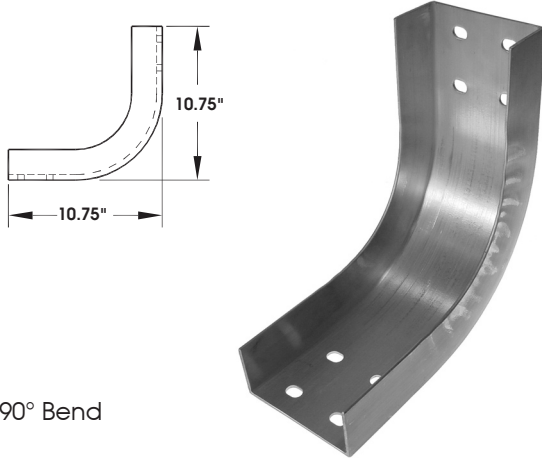
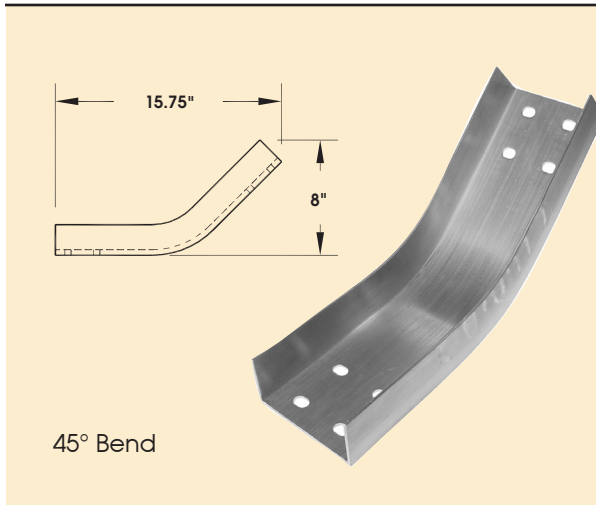




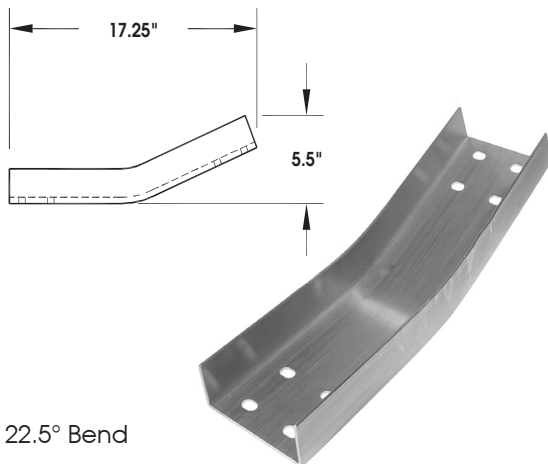
Inside Channel Vertical (ICV)
6" Radius



90° Bend



45° Bend



22.5° Bend

	Metal	Channel Width	Part Numbers
90° Bend 6" Radius	Hot-Dip Galvanized Steel	2	ICV2-GC2-R6D90
		4	ICV4-GC2-R6D90
		6	ICV6-GC2-R6D90
	Natural Finish Aluminum	2	ICV2-NA2-R6D90
		4	ICV4-NA2-R6D90
		6	ICV6-NA2-R6D90
	Stainless Steel T-304	2	ICV2-SS2 R6D90T4
		4	ICV4-SS2 R6D90T4
		6	ICV6-SS2 R6D90T4
		2	ICV2-SS2 R6D90T6
		4	ICV4-SS2 R6D90T6
		6	ICV6-SS2 R6D90T6
45° Bend 6" Radius	Hot-Dip Galvanized Steel	2	ICV2-GC2-R6D45
		4	ICV4-GC2-R6D45
		6	ICV6-GC2-R6D45
	Natural Finish Aluminum	2	ICV2-NA2-R6D45
		4	ICV4-NA2-R6D45
		6	ICV6-NA2-R6D45
	Stainless Steel T-304	2	ICV2-SS2 R6D45T4
		4	ICV4-SS2 R6D45T4
		6	ICV6-SS2 R6D45T4
		2	ICV2-SS2 R6D45T6
		4	ICV4-SS2 R6D45T6
		6	ICV6-SS2 R6D45T6
22.5° Bend 6" Radius	Hot-Dip Galvanized Steel	2	ICV2-GC2-R6D22
		4	ICV4-GC2-R6D22
		6	ICV6-GC2-R6D22
	Natural Finish Aluminum	2	ICV2-NA2-R6D22
		4	ICV4-NA2-R6D22
		6	ICV6-NA2-R6D22
	Stainless Steel T-304	2	ICV2-SS2 R6D22T4
		4	ICV4-SS2 R6D22T4
		6	ICV6-SS2 R6D22T4
		2	ICV2-SS2 R6D22T6
		4	ICV4-SS2 R6D22T6
		6	ICV6-SS2 R6D22T6

ALL DIMENSIONS IN INCHES

Note: 4" wide aluminum shown in photos.