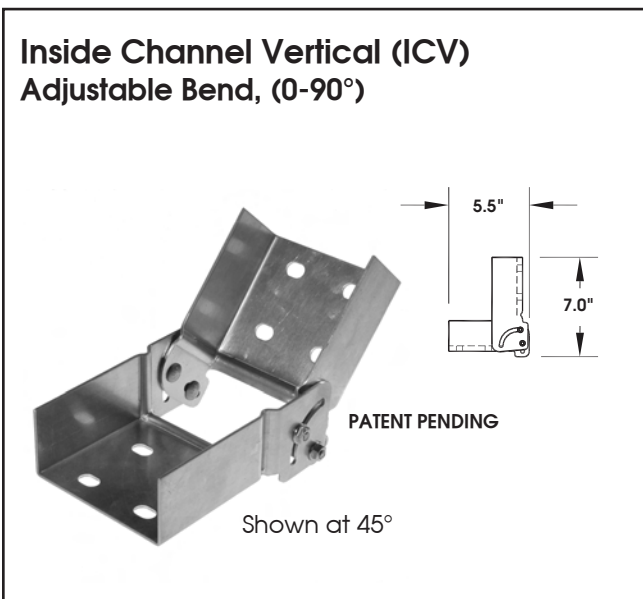


Metal	Channel Width	Part Numbers
Hot-Dip Galvanized Steel	2, 4, 6	OCV2-GC2-DA, OCV4-GC2-DA, OCV6-GC2-DA
Natural Finish Aluminum	2, 4, 6	OCV2-NA2-DA, OCV4-NA2-DA, OCV6-NA2-DA
Stainless Steel T-304	2, 4, 6	OCV2-SS2-DAT4, OCV4-SS2-DAT4, OCV6-SS2-DAT4
Stainless Steel T-316	2, 4, 6	OCV2-SS2-DAT6, OCV4-SS2-DAT6, OCV6-SS2-DAT6



Metal	Channel Width	Part Numbers
Hot-Dip Galvanized Steel	2, 4, 6	ICV2-GC2-DA, ICV4-GC2-DA, ICV6-GC2-DA
Natural Finish Aluminum	2, 4, 6	ICV2-NA2-DA, ICV4-NA2-DA, ICV6-NA2-DA
Stainless Steel T-304	2, 4, 6	ICV2-SS2-DAT4, ICV4-SS2-DAT4, ICV6-SS2-DAT4
Stainless Steel T-316	2, 4, 6	ICV2-SS2-DAT6, ICV4-SS2-DAT6, ICV6-SS2-DAT6

Note: 4" wide aluminum shown in photos.

ALL DIMENSIONS IN INCHES

CABLE-RACE Adjustable Bends are quality channel fittings designed to offer four advantages over standard fixed bend fittings:

- Bends **adjust** quickly to the exact angle
- Bends adjust in a very **short span** of run
- ‘**Curbs**’ protect cables over cut edge of channel
- Installed bend **locks solid** to support structure

CABLE-RACE Adjustable Bends are available to fit standard widths and metals of TUBETRACK channels as shown in the part number

grid above. Connecting bolts sets are shipped with and included in the price of each Adjustable Bend.

This unique design is ideal for the small, low voltage cables of modern instrumentation and control. The combination of adjustment mechanism and locking mechanism provides for very fast installation time with only a minimum of measurement required. They make it much easier to fit new cable runs over, under, and around the associated piping and framing of process machinery. Finished installations are neat with all points solid and cables resting on raised curbs, over the cut edges of channel.